


GIOTTO MILLENNIUM - FULL LED

sporgenza max | max projection | maximale Ausladung
avancée maximale | salida máx | saliência máxima



300 cm

AVAILABLE COLOURS  
RAL 9010 ANTRACITE

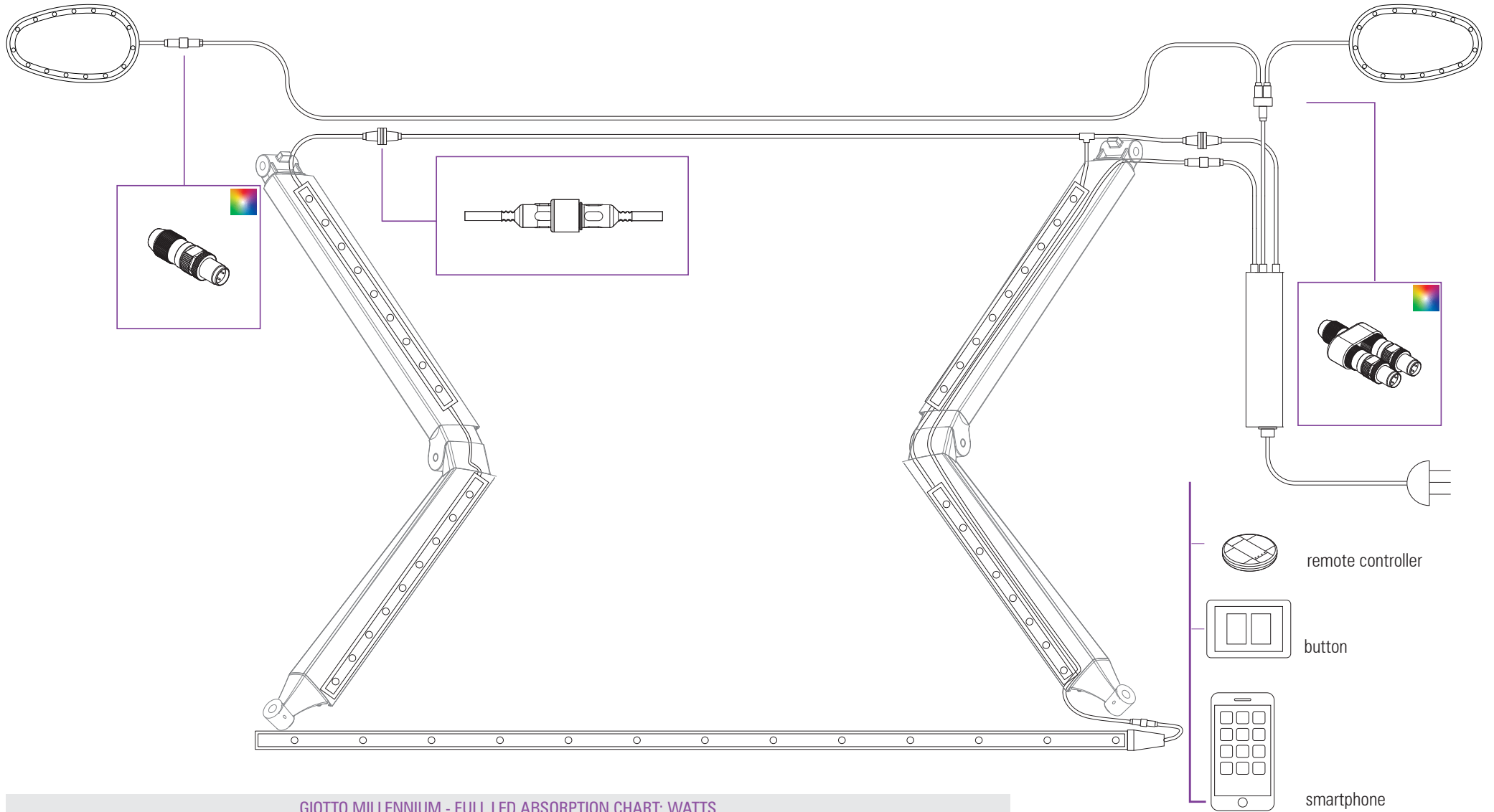
 anthracite only with 600 cm profiles and galaxy plus arm



CHOOSE YOUR SHADE OF COLOURS



LAYOUT FOR GIOTTO MILLENNIUM - SPECIAL

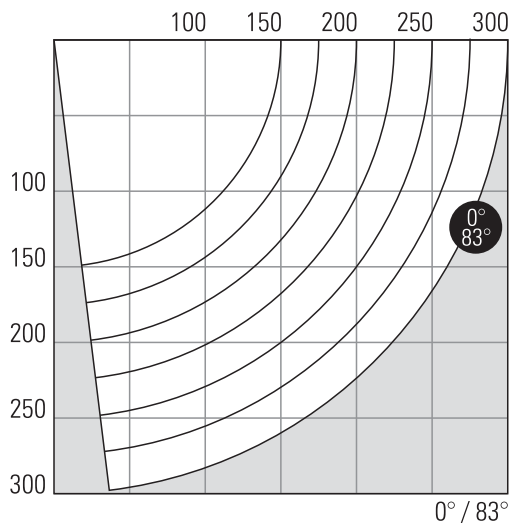


GIOTTO MILLENNIUM - FULL LED ABSORPTION CHART: WATTS

LED RGB STRIP		WHITE FOR ARMS		GIOTTO MILLENNIUM HEADER	
absorption per meter	required power per meter	absorption per meter	required power per meter	absorption per piece	required power per piece
14,4 W/m	17,5 W/m	see on page 331	see on page 331	2,5 W/pc	3 W/pc

GIOTTO MILLENNIUM - FULL LED

ARM LENGTH AND INCLINATION



MAIN ARM

SP. MAX

CASSIOPEA LED (RIGHT OR LEFT) 300 cm

WIND RESISTANCE CLASS ACCORDING TO THE EUROPEAN STANDARD UNI EN 13561

Classe di resistenza al vento secondo la normativa europea UNI EN 13561
 Wind resistance class according to the European standard UNI EN 13561
 Windwiderstandsklasse nach der Europäischen Norm EN 13561

Classe de résistance au vent conformément à la réglementation européenne UNI EN 13561
 Clase de resistencia al viento según la Normativa Europea UNI EN 13561
 Classe de resistência ao vento de acordo com as normas europeias UNI EN 13561

larghezza width Breite largeur ancho largura	sporgenza tenda aperta open awning projection Ausladung geöffnete Markise avancée store ouvert salida toldo abierto saliência toldo aberto	classe class Klasse classe clase classe	tubo avvolgitore roller tube Tuchwelle tube enrouleur tubo de enrollar tubo enrolador
600 cm 600 cm	300 cm 200 cm	1 2	Ø 70 Ø 70

CONTINUOUS ADJUSTMENT

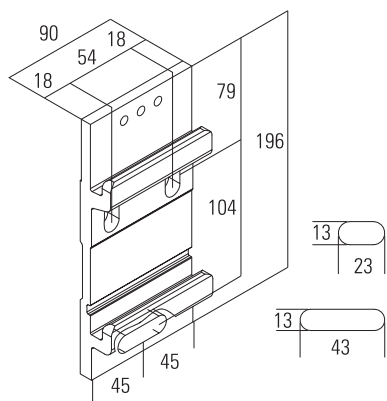
0° - 83°

regolazione continua
 continuous adjustment
 Kontinuierliche Einstellung
 réglage en continu
 ajuste continuo
 ajuste continuo

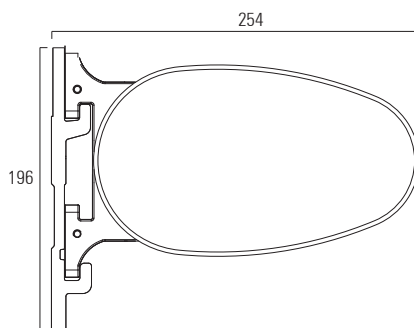
AWNING MINIMUM WIDTH

sporgenza braccio arm projection Arm Ausladung avancée du bras salida brazo saliência braço	larghezza tenda minima » 1 coppia bracci awning minimum width » 1 pair of arms Mindestbreite » 1 Paar von Armen largeur minimum store » 1 paire de bras ancho mínimo toldo » 1 par de brazos largura mínima de toldo com um par de braços
150	196 cm
175	221 cm
200	245 cm
225	269 cm
250	296 cm
275	315 cm
300	339 cm

WALL/CEILING BRACKET



AWNING SIZES



AWNING SIZES

