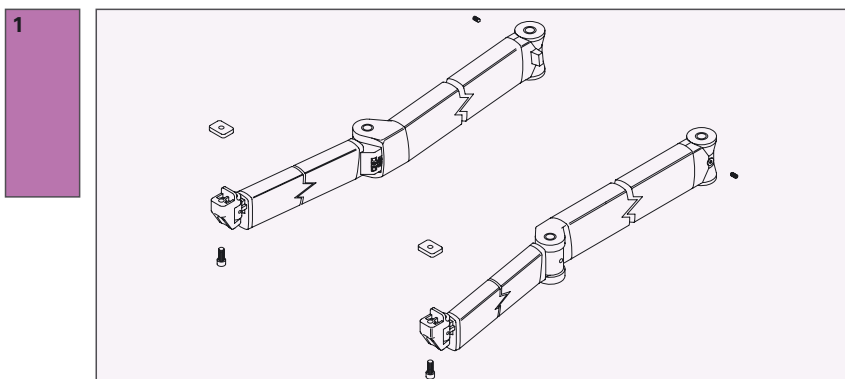





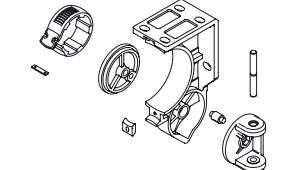
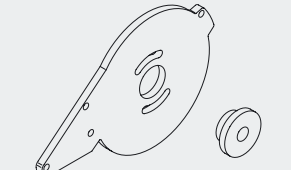
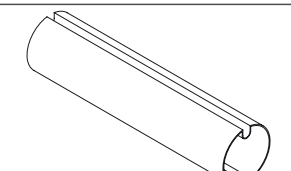
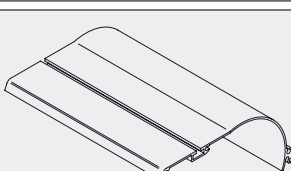
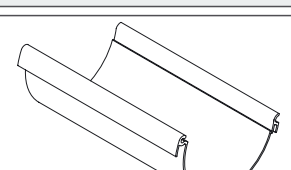
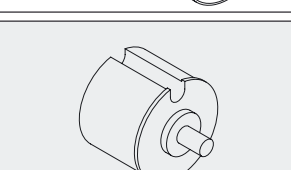
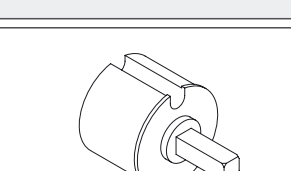
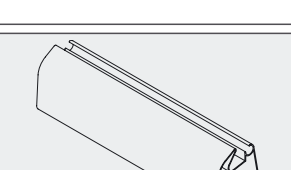
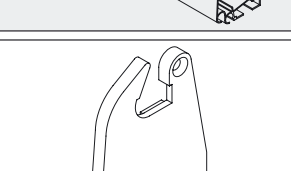



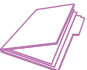


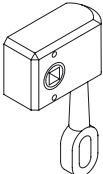

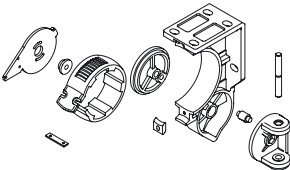
braccio Centaurus - Centaurus arm - Gelenkarm Centaurus - bras Centaurus



| n° | | | | € |
|----|----------|--------|------|---|
| 1 | 4XL250ST | 250 cm | 1 CP | |
| | 4XL275ST | 275 cm | | |
| | 4XL300ST | 300 cm | | |
| | 4XL325ST | 325 cm | | |
| | 4XL350ST | 350 cm | | |
| | 4XL375ST | 375 cm | | |
| | 4XL400ST | 400 cm | | |
| | | | | |

braccio Centaurus
 Centaurus arm
 Gelenkarm Centaurus
 bras Centaurus

| n° |  |  |  |  |  |
|----|---|---|--|---|---|
| 2 | 8XL900 |  | supporto braccio cimabue <i>cimabue arm support</i> Armkonsole cimabue <i>support bras cimabue</i> | 1 CP | |
| 3 | 8TGINT |  | tappo cassonetto cimabue <i>cimabue cassette cover</i> Kassettendeckel cimabue <i>bouchon coffre cimabue</i> | 1 CP | |
| 4 | RULA78X10/10 |  | tubo avvolgitore Ø 78 (10/10) <i>Ø 78 roller tube (10/10)</i> Tuchwelle Ø 78 (10/10) <i>tube enrouleur Ø 78 (10/10)</i> | 1 ML | |
| 5 | BA008 |  | profilo cassonetto superiore cimabue <i>cimabue cassette upper profile</i> Oberes Kassettenprofil cimabue <i>profil supérieur coffre cimabue</i> | 1 ML | |
| 6 | BA007 |  | profilo cassonetto inferiore cimabue <i>cimabue cassette lower profile</i> Unteres Kassettenprofil cimabue <i>profil inférieur coffre cimabue</i> | 1 ML | |
| 7 | 2XL912PT78 |  | calotta in nylon Ø 78 perno tondo 12x20 <i>Ø 78 nylon cap with 12x20 hole</i> Wellenkapsel nylon Ø 78 mit Rundstift 12x20 <i>calotte en nylon Ø 78 pivot rond 12x20</i> | 1 PZ | |
| 8 | 2XL912PQ78 |  | calotta in nylon Ø 78 perno quadro 13x40 <i>Ø 78 nylon cap with 13x40 square pin</i> Wellenkapsel nylon Ø 78 mit Vierkantstift 13x40 <i>calotte en nylon Ø 78 pivot carré 13x40</i> | 1 PZ | |
| 9 | ESTRTPLUX |  | terminale pesante lux <i>heavy lux terminal bar</i> Schwere Fallstange Lux <i>barre de charge lourde lux</i> | 1 ML | |
| 10 | 939TTLUX |  | tappo pvc terminale lux <i>lux terminal bar PVC end cover</i> PVC Deckel für schwere Fallstange Lux <i>bouchon pvc barre de charge lux</i> | 1 CP | |

| n° | <table border="1"> <tr><td>6</td><td>Y</td><td>G</td></tr> <tr><td>A</td><td>3</td><td>S</td></tr> <tr><td>1</td><td>8</td><td><</td></tr> </table> | 6 | Y | G | A | 3 | S | 1 | 8 | < |  |  |  |  |
|----|--|--|--|--|------|---|---|---|---|---|---|---|---|---|
| 6 | Y | G | | | | | | | | | | | | |
| A | 3 | S | | | | | | | | | | | | |
| 1 | 8 | < | | | | | | | | | | | | |
| 11 | PFARG13/1 |  | arganello 13/1 <i>reduction winch 13/1</i> Getriebe 13/1 <i>treuil 13/1</i> | | 1 PZ | | | | | | | | | |
| 12 | PFASM100 PFASM120 PFASM150 PFASM180 PFASM200 PFASM220 PFASM250 PFASM300 |  | asta manovra <i>crank rod</i> Kurbelstab <i>manivelle</i> | 100 cm 120 cm 150 cm 180 cm 200 cm 220 cm 250 cm 300 cm | 1 PZ | | | | | | | | | |
| | 8XLGUSINT |  | kit cimabue: 2+3 <i>cimabue kit: 2+3</i> kit cimabue: 2+3 <i>kit cimabue: 2+3</i> | | 1 PZ | | | | | | | | | |